



# Stainless Steel Swing Check Valve for Cryogenic Service

## 886 Series

REGO  
**10**  
YEAR  
WARRANTY

### Application

The RegO Goddard 886 Series check valve is designed for handling of cryogenic liquids through bulk tanks, trucks, trailers, ISO-containers and piping configurations. Compatible with oxygen, nitrogen, CO2 argon and LNG.

### Features

- **Top Entry:** This bolted bonnet valve can be permanently installed in the line and serviced from the top
- **Construction:** Designed to prevent back flow in cryogenic systems. Higher fluid capacity (Cv) than poppet or lift check valves. 316L stainless steel investment cast body, cap and arm
- **Sizes:** ½" through 4" (15mm through 100mm)
- **Ends:** Socket weld and butt weld schedule 10 and 40
- **Temperature Rating:** -320°F to 150°F (-196°C to +66°C)
- Cleaned for Oxygen Service per CGA G-4.1.
- **Pressure Rating:** (Cold, Non-shock)  
400 psig (27 barg) ½" - 2"  
275 psig (19 barg) 150# ANSI Class 3" and 4"  
720 psig (50 barg) 300# ANSI Class 3" and 4"  
PED Approved
- **Note:** Do not use for reciprocating gas service.
- Our investment cast stainless steel is specified by leading industrial gas companies for storage tank and yard operations.
- Ideal for liquid atmospheric gases and LNG storage and handling.
- High cycle life and superior sealing.
- Valves for hydrogen service can be supplied. (-425°F to +350°F)
- Cracking Pressure: 0.5 psig (0.03) barg



886 Series

### Ordering Information

886

Stainless Steel Swing Check Valves  
Soft Seat

GRAFOIL® Gasket - Hydrogen Service - Socket Weld

Part Number	Valve Size		End Connection	Seat	Pressure Rating	Estimated Cv	Weight Lbs.
	Inches	mm					
<b>S-0886GF-4S</b>	½"	15 mm	Socket Weld	Soft	400 (27.5 barg)	4.50	3 Lbs.
<b>S-0886GF-8S</b>	1"	25 mm				61.00	11 Lbs.
<b>S-0886GF-12S</b>	1½"	40 mm				99.00	17 Lbs.

PTFE Gasket - Socket Weld

Part Number	Valve Size		End Connection	Seat	Pressure Rating	Estimated Cv	Weight Lbs.
	Inches	mm					
<b>S-000886-4S</b>	½"	15 mm	Socket Weld	Soft	400 (27.5 barg)	4.50	3 Lbs.
<b>S-000886-8S</b>	1"	25 mm				61.00	11 Lbs.
<b>S-000886-12S</b>	1½"	40 mm				99.00	17 Lbs.



# Stainless Steel Swing Check Valve for Cryogenic Service

## 886 Series

### PTFE Gasket - Buttweld

Part Number	Valve Size		End Connection	Seat	Butt Weld Schedule	Pressure Rating	Estimated Cv	Weight Lbs.
	Inches	mm						
S-000886-4WA	½"	15 mm	Butt Weld	Soft	10	400 (27.5 barg)	4.50	3 Lbs.
S-000886-8WA	1"	25 mm					18.00	11 Lbs.
S-000886-12WA	1½"	40 mm				61.00	17 Lbs.	
S-000886-16W3A	2"	50 mm				99.00	17 Lbs.	
S-000886-24WA	3"	80 mm			255.00	47 Lbs.		
S-000886-24WJ	3"	80 mm			225.00	46 Lbs.		
S-000886-32W3J	4"	100 mm			475.00	95 Lbs.		
S-000886-32WA	4"	100 mm	10	275 (19 barg)	475.00	95 Lbs.		

### 886M

Stainless Steel Swing Check Valves - Metal Seat

### PTFE Gasket - Socket Weld

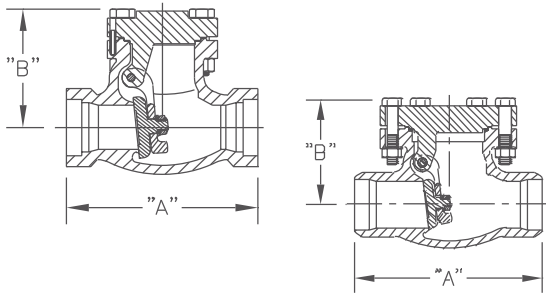
Part Number	Valve Size		End Connection	Seat	Pressure Rating	Estimated Cv	Weight Lbs.
	Inches	mm					
S-00886M-4S3	½"	15 mm	Socket Weld	Metal	720 (50 barg)	4.50	3 Lbs.
S-00886M-8S3	1"	25 mm				18.00	11 Lbs.
S-00886M-12S3	1½"	40 mm				61.00	17 Lbs.

### Butt Weld Ends

Part Number	Valve Size		End Connection	Seat	Butt Weld Schedule	Pressure Rating	Estimated Cv	Weight Lbs.
	Inches	mm						
S-0886M-16W3A	2"	50 mm	Butt Weld	Metal	10	720 (50 barg)	99.00	17 Lbs.
S-00886M-24W3J	3"	80 mm			40		225.00	46 Lbs.
S-00886M-24W3A	3"				10	225.00	46 Lbs.	
S-00886M-32WA	4"	100 mm			10	275 (19 barg)	475.00	95 Lbs.
S-00886M-32W3J	4"				40	720 (50 barg)	475.00	95 Lbs.

### Butt Weld Ends with GRAFOIL® Gasket for Hydrogen Service

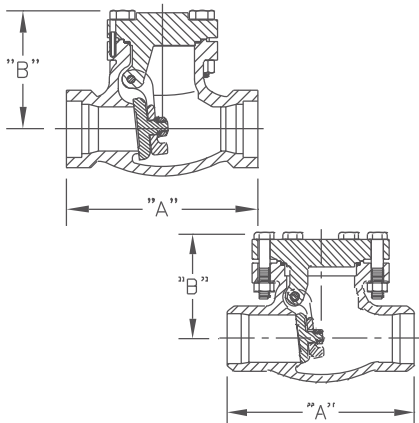
Part Number	Valve Size		End Connection	Seat	Butt Weld Schedule	Pressure Rating	Estimated Cv	Weight Lbs.
	Inches	mm						
S-886MGF-16W3A	2"	50 mm	Butt Weld	Metal	10	720 (50 barg)	99.00	17 Lbs.
S-886MGF-24W3A	3"	80 mm					225.00	46 Lbs.



### 886

Pressure Rating 300 psig Non-Shock Cold, Temperature Rating +150° F to - 325° F  
All Dimensional Data are in inches.

Size	"A"	"B"
½"	4¼"	2½"
¾"	5"	3¼"
1"		
1½"	6½"	4"
2"	8"	4½"



### 886M

Service 300 Class 720 psig Non-Shock Cold, Temperature Rating +150° F to - 325° F  
All Dimensional Data are in inches.

Size	"A"	"B"	Butt Weld End Schedule
1½"	6½"	4"	10
2"	8"	4½"	
3"	9½"	5¾"	10 & 40
4"	11½"	8¾"	10
4"	14"	8¾"	40

Size	"A"	"B"	End	End Dimension
½"	27/16"	4¼"	Socket Weld	SCH 10
				½" Pipe Socket