



Horizontal Lift Check Valves 8500 Series

Application

8500 series valves are designed for use as a check valve on cryogenic bulk stations and pipelines.

Features

- Replaceable Kel-F seat discs.
- Self-centering cap holds plunger in position.
- Each valve is cleaned and packaged for liquid oxygen service per CGA G-4.1.
- 100% Factory Tested
- Working temperature range is -320°F to +165°F (-196°C to +74°C).
- Maximum working pressure is 600 psig CWP (41.3 barg).
- 2 psig opening pressure.

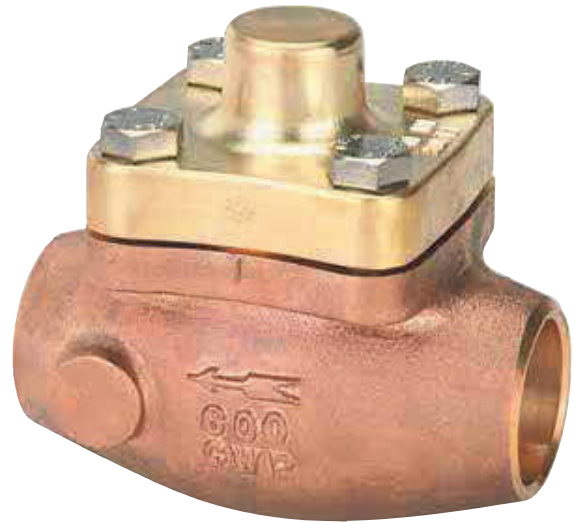
Materials

Body Bronze
 Cap Brass
 Plunger Brass
 Seat PCTFE

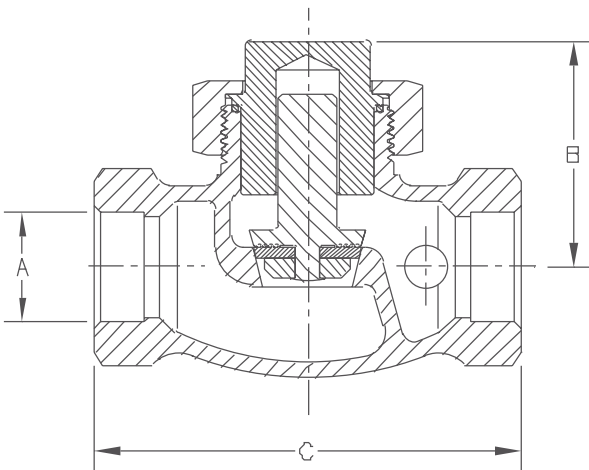
REGO
10
 YEAR
 WARRANTY



BK8508S



BK8512S



Ordering Information

Part Number	Inlet / Outlet Connection A	B	Length C	Cv Factor
BK8508S	1.128"-1.130"	2¼"	4 ¹⁵ / ₁₆ "	10
BK8508T	1" F.NPT			
BK8512S	1.629"-1.631"	3¼"	5 ³ / ₁₆ "	27
BK8512T	1½" F.NPT			