



# ES8450 & TES8450 Series Extended Stem Valves BK9450 & BK9470 Series Extended Bonnet Valves



## Application

For use as a trycock valve or hose drain valve on cryogenic tanks, or as a use, liquid fill, or vent valve on mini-bulk cryogenic tanks. These valves can be used also for other cold gas applications requiring extended stem valves as LNG fueling.

## Features

- Union bonnet.
- One piece stainless steel stem
- Conical seat design.
- Maximum working pressure is 600 psig (42 barg).
- Working temperature is -320°F to +165°F. (-196°C to 74°C)
- Cleaned for oxygen service per CGA G-4.1.
- 100% Factory Tested

### TES8450 Series specific feature:

- Grafoil® packing
- Approved by PED and TPED

### ES8450 Series specific feature:

- Manual torque compression packing.

### BK9450 and BK9470 Series specific feature:

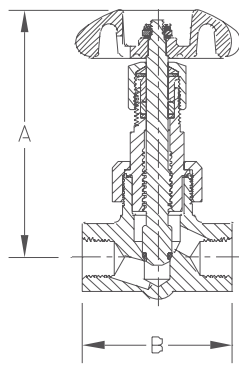
- Extended bonnet and spring loaded packing.

### BK9470 Series specific feature:

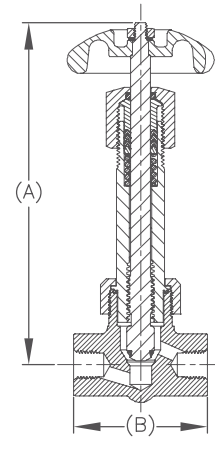
- 304 St. Stl Tube brazed into both ends.



**ES8450 Series**



**BK 9450 Series**



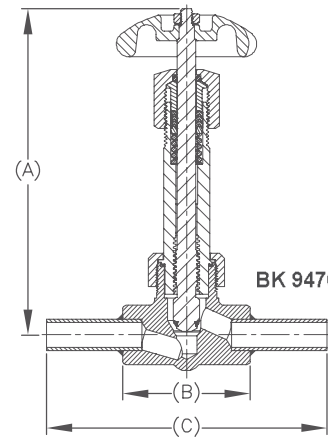
## Materials

Body and Bonnet.....	Brass
Stem .....	Stainless Steel
Seat Disc.....	PCTFE
Handwheel.....	Aluminum
Bonnet Gasket.....	PTFE
Packing.....	PTFE
Packing (TES.....)	Grafoil

## Conversion Kit

BK 9450-KIT is a bonnet and stem assembly kit to convert ES 8450 series and previous ES 9450 Series to the BK 9450 style.

## Ordering Information



**BK 9470 Series**

Part Number	Inlet/Outlet Connections	Height "A"	Body Width "B"	Width with Tube "C"	Cv					
ES8452	¼" FNPT	4.2"	2.5"		0.70					
TES8452										
ES8453	¾" FNPT				6.5"		1.10			
TES8453										
ES8454	½" FNPT									0.70
TES8454										
BK9452	¼" FNPT			1.10						
BK9453	¾" FNPT									
BK9454	½" FNPT									
BK9453FA	5/8" OD tubing x 3/8" FNPT				4.0"					
BK9475A	5/8" OD tubing both ends				5.5"					